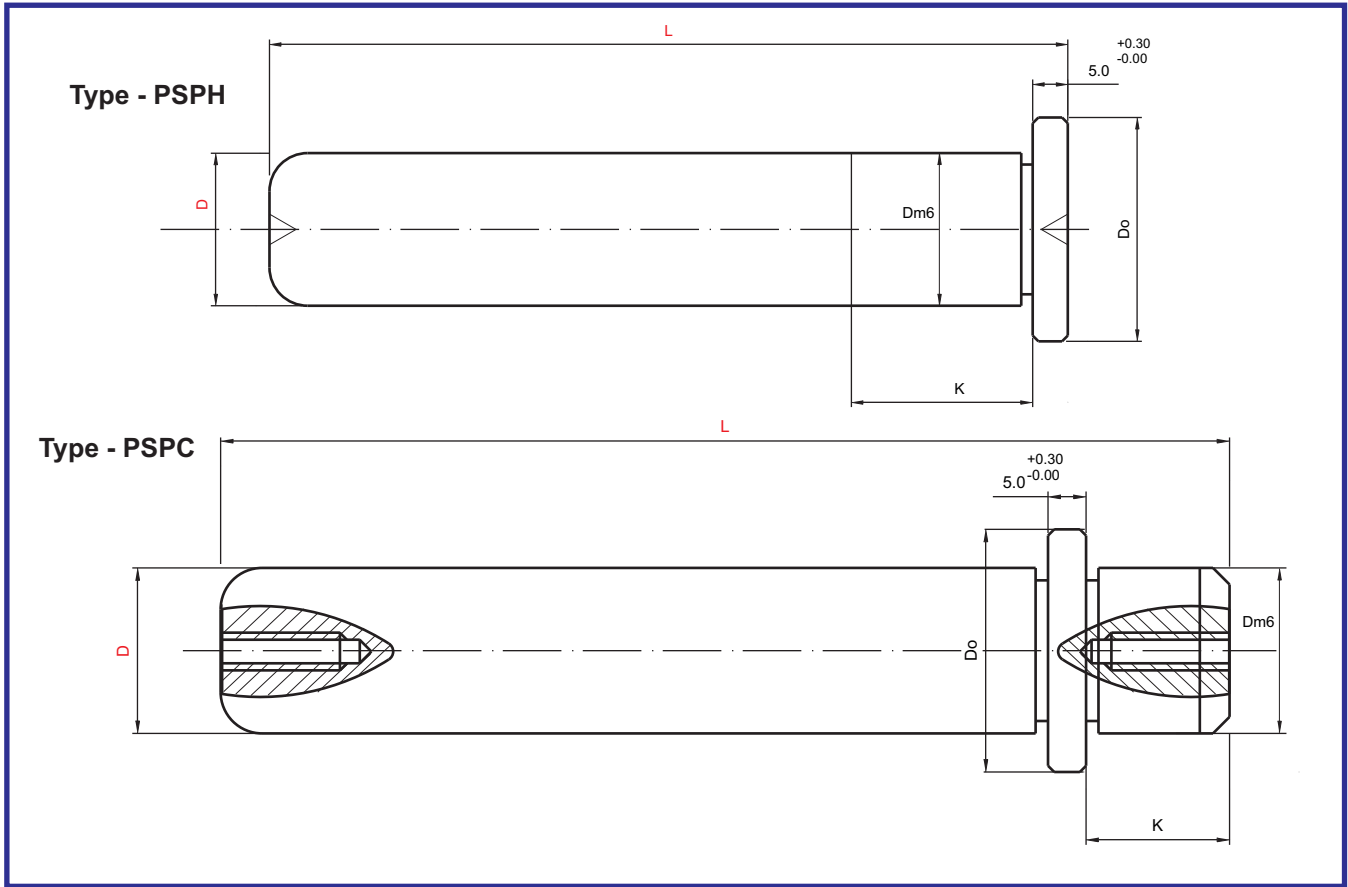


## ► Stripper Guide Pin (PSPC/ PSPH)



**Material :-** En 353  
**Hardness :-** 53-56 Hrc



Size	Code	Dia D	Do	K	L				
Tolerance		h7	-0.02(max)	-1.0(max)	+1.0(max)				
	PSPH	8	11	8	50	60			
		10	13	13	50	60	80		
		16	19	18	50	60	80	100	120
		20	23	22		60	80	100	120
		25	28	28			80	100	120

Size	Code	Dia D	Do	K	L					
Tolerance		h7	-0.02(max)	-1.0(max)	+1.0(max)					
	PSPC	8	11	8	30	50	60			
		10	13	8	30	50	60	80		
		16	19	10		50	60	80	100	120
		20	23	13			60	80	100	120
		25	28	16				80	100	120

**Order Type :** Code X Dia D X Length L  
**Example :** PSPC X 16 X 80